

Housing and wiring hints for change over from QT (DALI)-T/E to new QTi (DALI)-T/E ... DIM-series

The new designed K3-housing has the typical base fixing points. Only the side fixing points are dropped due to more space for the electronics.
The 1-lamp and 2-lamp version are now available in K3 size.
The wiring is adopted to market requirements.

Fig. 1: 1-lamp version:

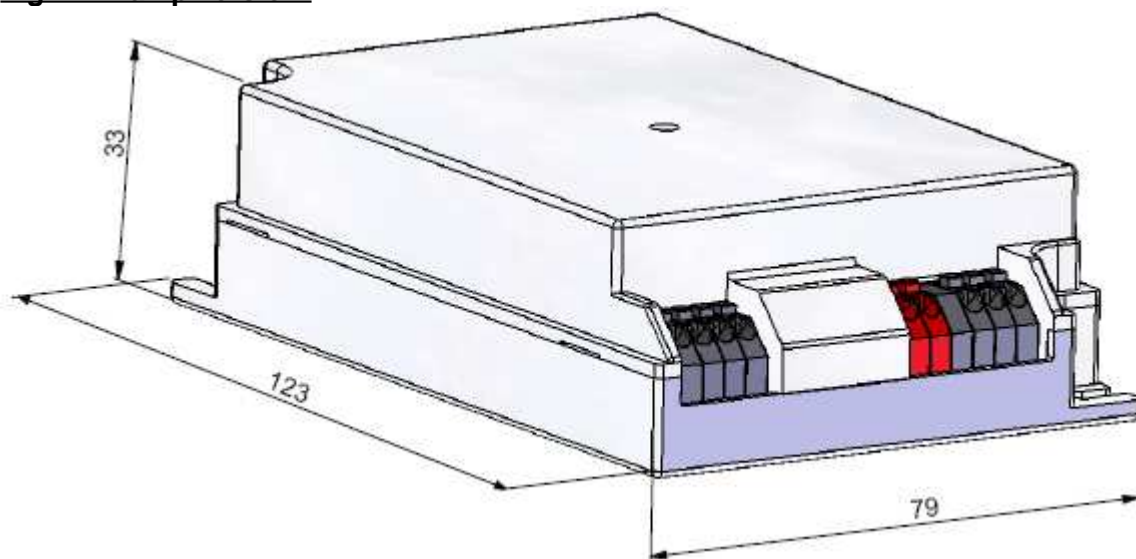


Fig. 2: 2-lamp version:

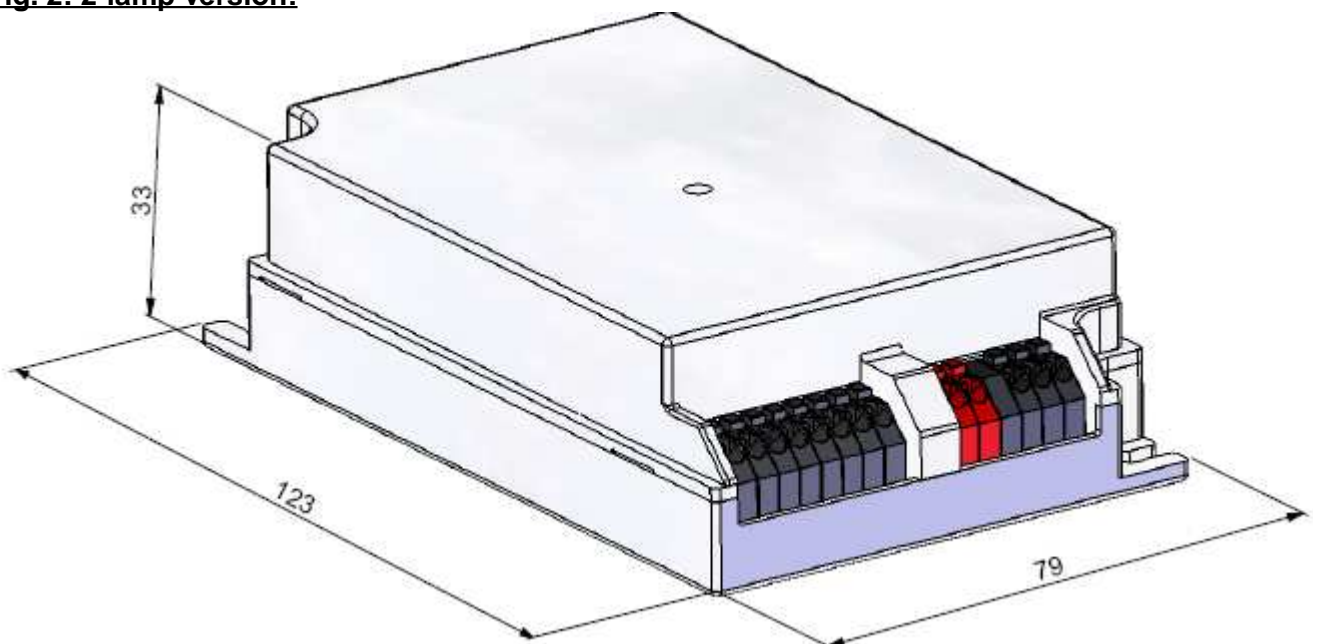
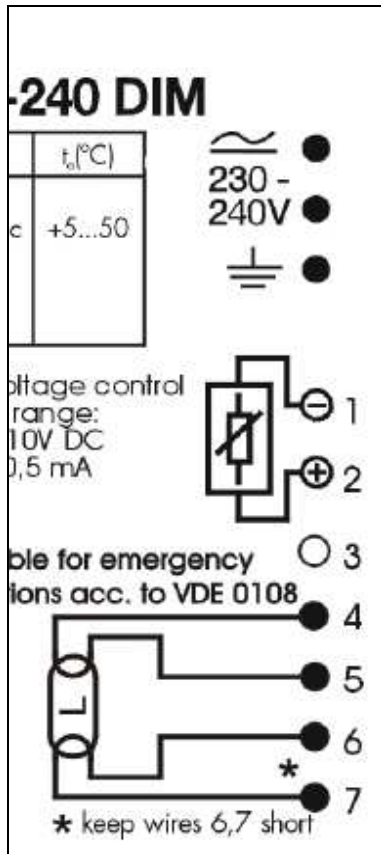


Fig. 3: Wiring 1-lamp version

Old (QT-T/E 1x26-42 DIM)



New (QTi-T/E 1x18-57 DALI DIM)

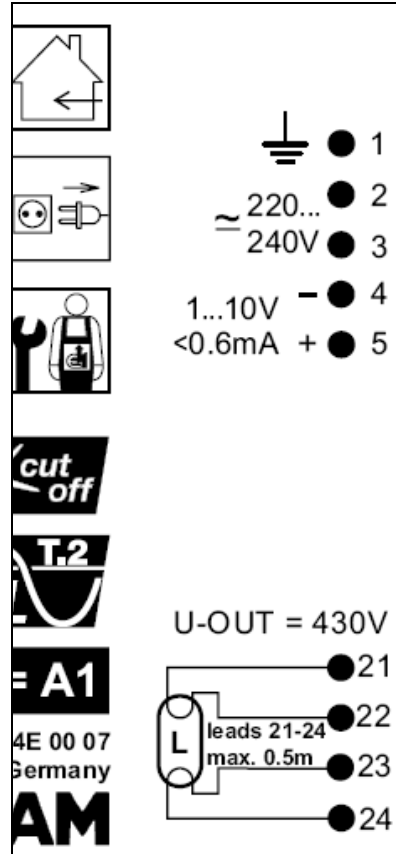
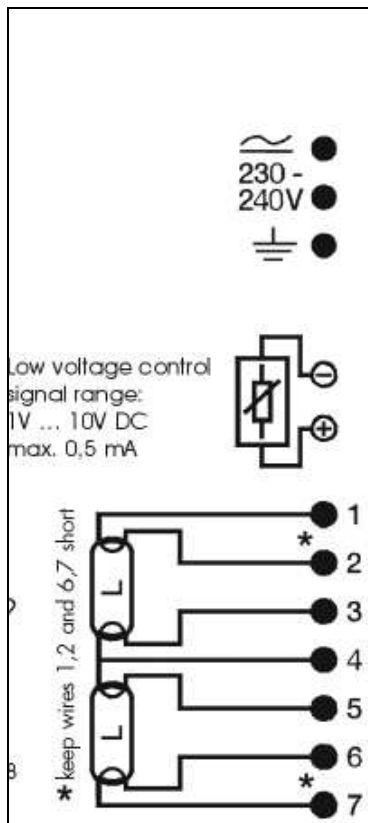
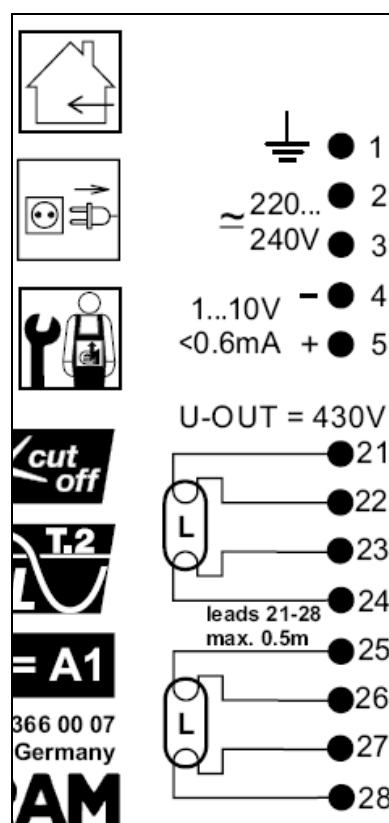


Fig. 4: Wiring 2-lamp version:

Old (QT-T/E 2x26-42 DIM)



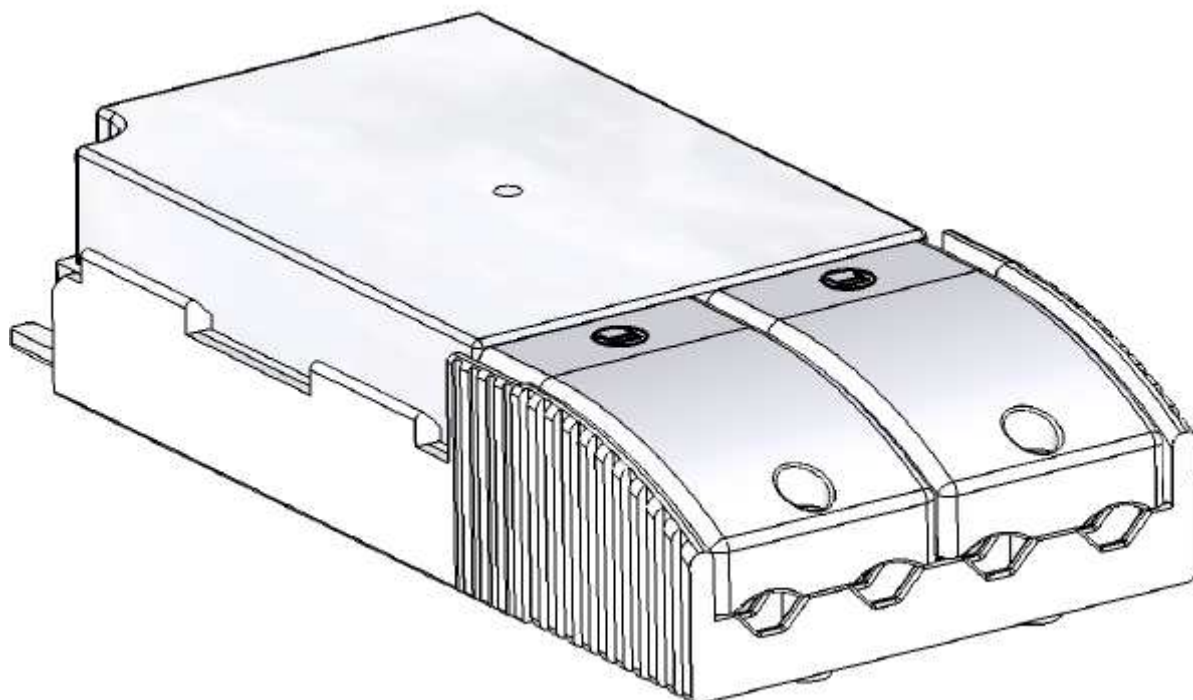
New (QTi-T/E 2x18-42 DALI DIM)



(The dimming interface for DALI-types is polarity free)

Fig. 5: Optional cable clamp:

A clip-on cable clamp is available for ceiling installation (estimated for beginning of April 2008).



The cable clamp is also available for K2-housing.